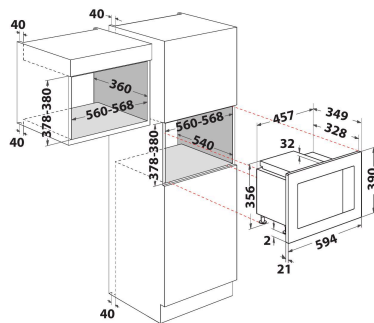


MWI 120 GX

12NC: F159143

GTIN (EAN) code: 8050147591437

Indesit
Life proof.



MAIN FEATURES

Product group	Microwave
Commercial code	MWI 120 GX
Main colour of product	Stainless steel
Type of micro-wave oven	MW+Grill function
Construction type	Built-in
Type of control	Electronic
Type of control settings	Digit
Additional cooking method Grill	Ano
Crisp	Ne
Steam	Ne
Additional cooking method Fan cooking	Ne
Clock	Ano
Automatic programmes	Ano
Height of the product	390
Width of the product	594
Depth of the product	349
Minimum niche height	378
Minimum niche width	560
Niche depth	360
Net weight (kg)	14.65
Cavity capacity (l)	20
Turntable	Ano
Turntable diameter (mm)	245
Integrated Cleaning system	Ne

TECHNICAL FEATURES

Current (A)	12
Voltage (V)	230-240
Frequency (Hz)	50
Length of Electrical Supply Cord (cm)	135
Plug type	Schuko
Timer	Ano
Grill power (W)	1000
Type of grill	Quartz
Cavity material	Stainless steel
Interior light	Ano
Additional cooking method Grill	Ano
Position of interior lights of the cavity	Ceiling

ENERGETICKÝ ŠTÍTEK

6th Sense / Dynamic Intelligence	Ne
Number of power levels	6
Maximum micro-wave power (W)	800
Bread Defrost	Ne
Jet Defrost	Ano
Jet Start	Ano